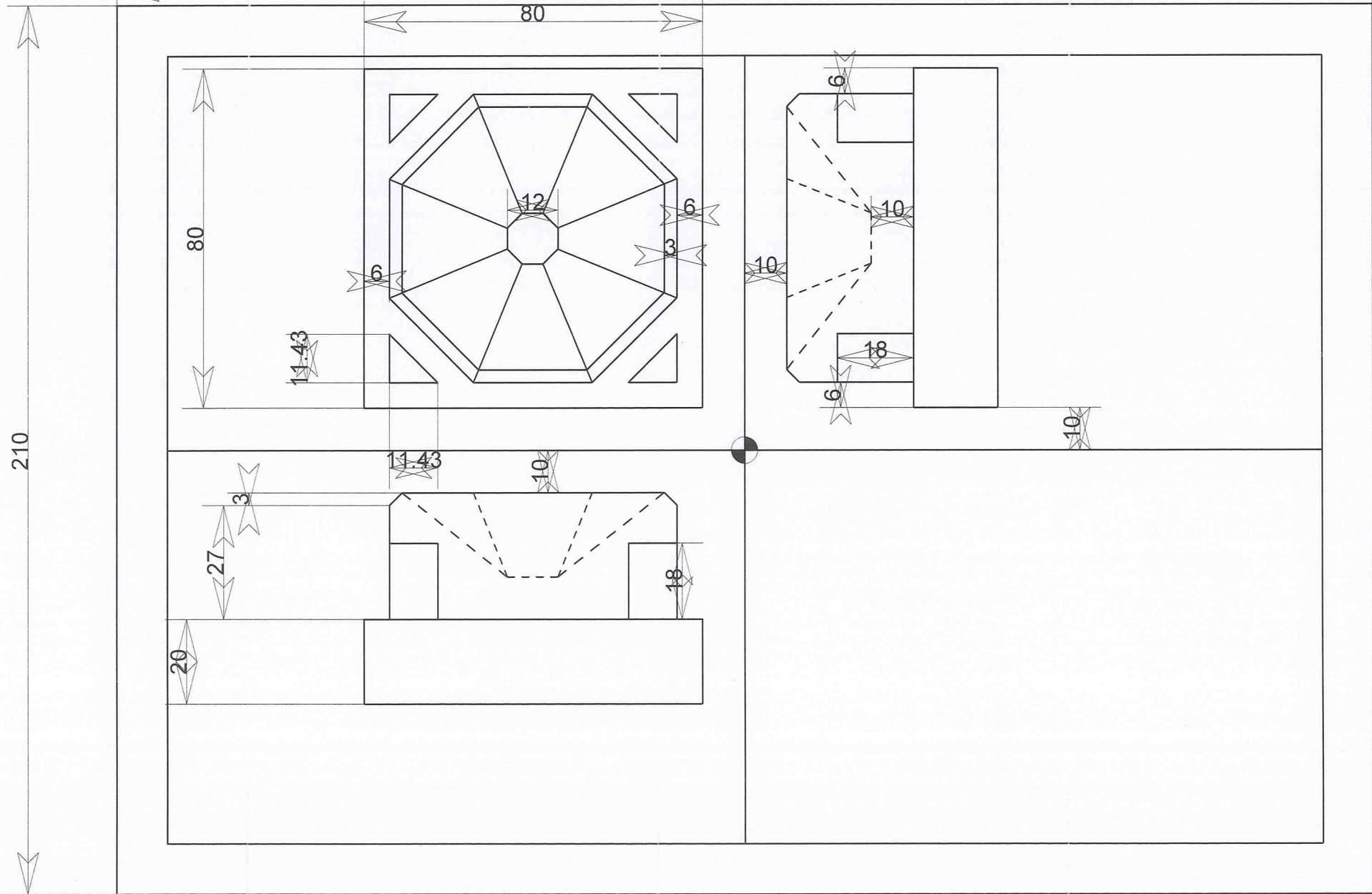


1/0.054

297



210

80

80

11.43

12

6

6

3

10

6

10

6

18

10

20

27

3

11.43

10

18